

FASTENER INSTALLATION INSTRUCTIONS AND WARRANTY

Place **Plate** on insulation (3" round) or membrane (2" round). With bit tip provided in fastener box, use an electric impact tool (recommended) or 1/2" electric drill (in rotary mode) to install fastener through plate into substrate a **minimum** of 1-1/2". Predrilling of a 5/16" pilot hole in Insulrock or 7/16" hole in gypsum is recommended. Drill size may be varied to maximize pullout. Drilling is not required in Tectum. Fastener should be driven until plate seats against membrane/insulation securely (do not overdrive). For proper seating of plate see reverse side of card. Details regarding installation and fastener warranty are listed below and should be read carefully prior to using this product.

1. On all applications pullout load tests must be done in various areas to determine the structural integrity of the substrate and the holding ability of the fastener.

2. Install fasteners into non-degrading environment. Do not install through wet insulation or when interior environment of the building would be degrading to the fastener material.

3. Fasteners should be driven perpendicular to work surface.

4. Fasteners that are improperly installed (i.e. overdriven, underdriven, snapped, bent, stripped) should be removed or corrected.

Overdriven: Fastener is driven causing stress plate to be concave or to deform which can cause reduction in holding force or thread stripping of substrate.

Underdriven: Fastener head is not properly seated on stress plate.

Snapped: Fastener breaks under driving load.

Bent: Fastener is bent to the point that it adversely affects installation.

Stripped: Fastener thread strips out of substrate causing low pullout force.

5. Wear safety goggles when installing fasteners.

6. INSTALLATION TOOLS are recommended for proper application of fasteners in all deck types.

7. Suitability of a fastener's use for a particular application is determined solely by acceptance of the building owner or his representative and is not the responsibility of the manufacturer or seller of this product.

8. In no event shall the manufacturer or seller be liable for incidental, consequential, punitive or personal liability or other damages, including but not limited to loss of profits or damage to the building or contents.

9. While employees or representative of the manufacturer or seller may assist in pullout testing of the fastener, these companies assume no responsibility for the accuracy or representations of such testing. Suitability of a fastener's use for a particular application is not the responsibility of the manufacturer or seller and no agent or employee can recommend or specify a fastener for a particular installation.

10. The Manufacturer certifies that the fastener, when properly installed in accordance with our published screw-and-plate assembly installation instructions, will not backout of the substrate or fail for a period of ten (10) years in both new and reroofing installations.

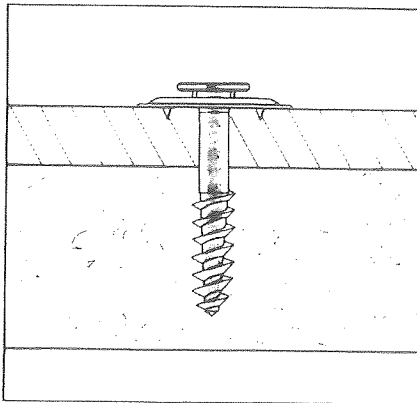
11. The Manufacturer and/or seller will not indemnify against failures due to improper anchor selection; incorrect installation pattern; insufficient deck strength; careless installation; overdriven or underdriven fasteners or any other mode of failure beyond the actual breakage of the Screw or matching stress plate.

12. This certification states that the manufacturer's and seller's liability shall be limited to the cost of repair or installation of fasteners by an authorized roofing applicator to maintain a watertight condition, cost not to exceed the original purchase price of the screws per roofing project. Further, any costs determined to be the manufacturer's responsibility shall be calculated on a pro-rated ten year basis.

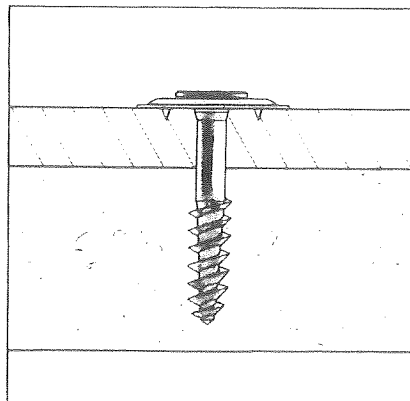
13. Contractor should review product manual thoroughly before job startup.

30150

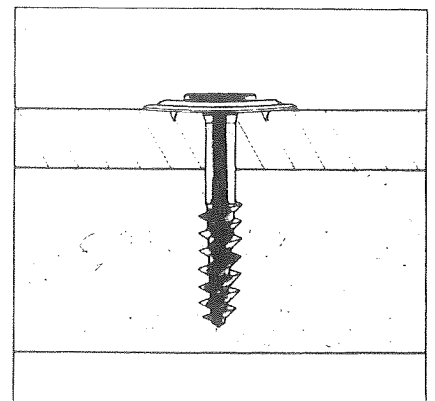
Fastener Installation



Underdriven



Properly Driven



Overdriven